

# 5 Tier Aluminium Seed Tray unit.

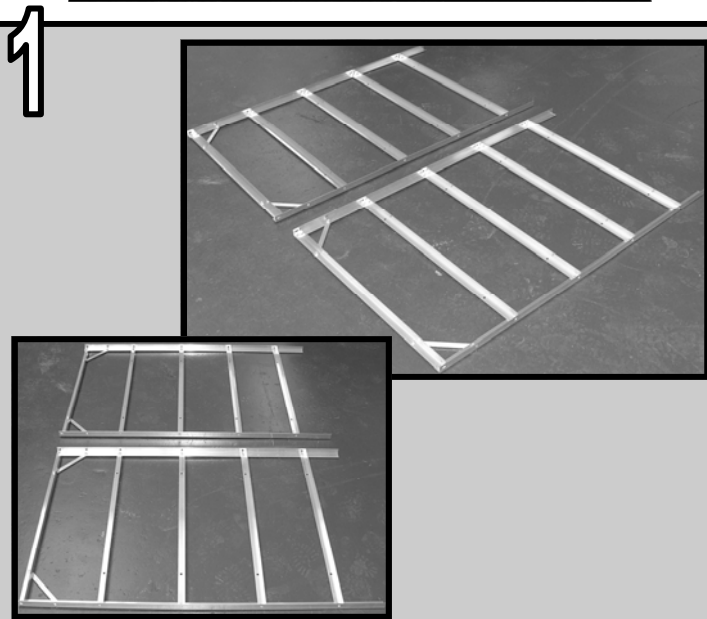
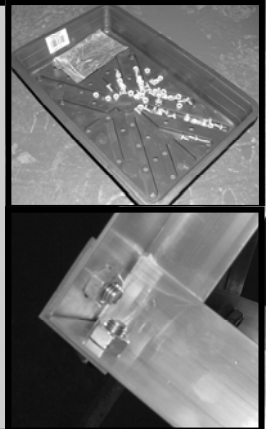
## INSTRUCTIONS

Please read all before you begin.



## Note!

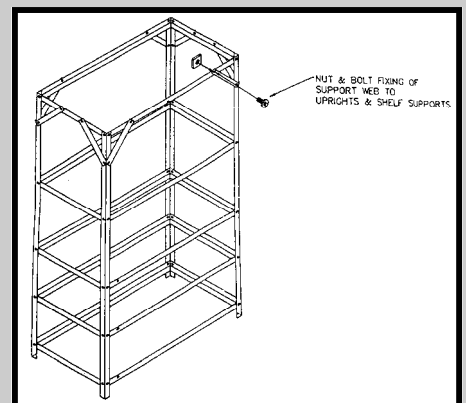
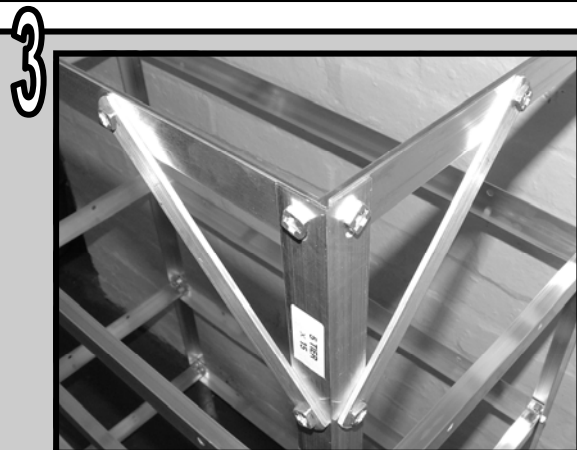
- Tip your nuts, bolts and caps into one of the seed trays.
- Throughout initial assembly the nuts and bolts need only be **finger tight**. The structure will be squared out on a level floor later on.
- In this model the nuts should face **into** from the frame for a neater finish.



- Layout the four **legs**.
- Join each pair of legs together with the '**Long Horizontal**' parts to form the two main sections of the overall cage.
- Add **bracings** for strength.

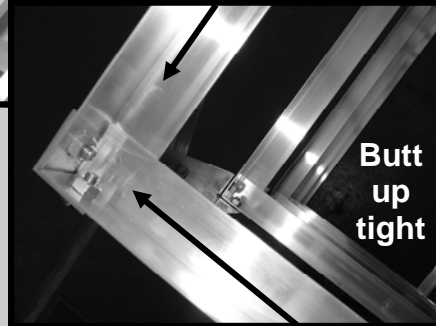
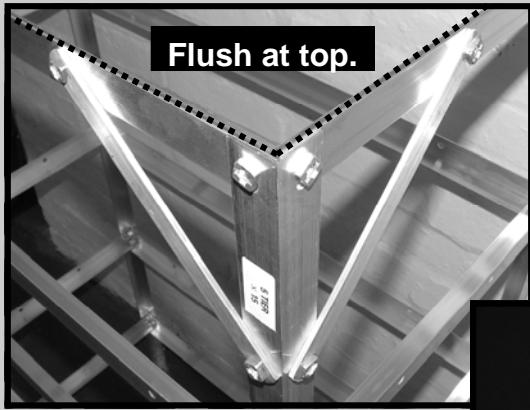


- Place one of the main sections up against a wall (for stability) and attach the '**Short horizontal**' parts. The structure will be unstable at this stage due to the un-tightened nuts and bolts.
- Attach other **main section** in a similar manner.



- Attach the **side bracings** to complete the cage.

4



- Stand the frame on a level floor so the frame is square when the nuts are tightened.
- **Tighten-up** each nut and bolt ensuring that both the long and short horizontals butt up against the inside leg. This creates a tight fit for each tray in the frame. Make the horizontals **flush** at the top for a **neat smooth** finish.
- Check that the frame is **square**, diagonal measurements should be **equal**. Adjust If necessary.

5



- **Move** the frame into situ.
- **Insert** trays.

**Extras:** This unit is also available with 3' long aluminium drop in trays as an optional extra.

If you would like a brochure containing our extensive product range then please contact us at,

'The Greenhouse People',  
Unit 9B Blythe Park,  
Cresswell Lane,  
Cresswell,  
Stoke—On—Trent.  
Staffs.  
ST11 9RD.

If you have any queries please do not hesitate to call us on **01782 388811**.  
[www.thegreenhousepeople.co.uk](http://www.thegreenhousepeople.co.uk)



The  
Greenhouse  
People